

Pilot operated 2-port solenoid valve for compressed air

EXA Series

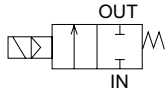
- NC (open when energized)
- Port size: Push-in fitting $\varnothing 6$, $\varnothing 8$, $\varnothing 10$, $\varnothing 12$
- Diaphragm drive



- EXA
- FWD
- HNB/G
- USB/G
- FAB/G
- FGB/G
- FVB
- FWB/G
- FHB
- FLB
- AB
- AG
- AP/AD
- APK/ADK
- DryAir
- EX-XPLNprf
- XPLNprf
- HVB/HVL
- S \diamond B/NAB
- LAD/NAD
- Water-Rela
- NP/NAP/NVP
- SNP
- CHB/G
- MXB/G
- Other valves
- SWD/MWD
- DustColl
- CVI/CVSE
- CCH/CPE/D
- LifeSci
- Gas-Combus
- Auto-Water
- Outdoor
- SpecFld
- Custom
- Ending

JIS symbol

- NC (open when energized)



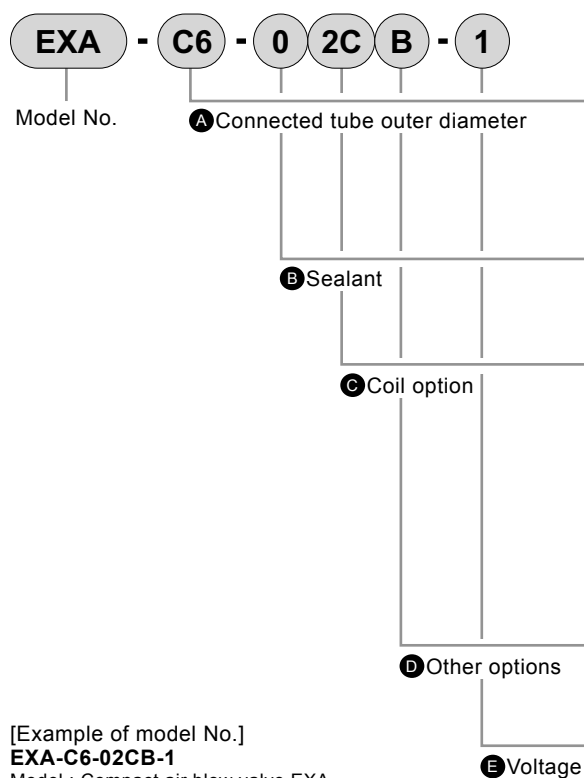
Specifications

| Item | EXA-C6 | EXA-C8 | EXA-C10 | EXA-C12 |
|--|--|---------------------------------|----------------------------------|----------------------------------|
| Working fluid | Compressed air | | | |
| Working pressure differential MPa | 0.01 (≈ 1.7 psi, 0.1 bar) to 0.7 (≈ 100 psi, 7 bar) | | | |
| Max. working pressure MPa | 0.7 (≈ 100 psi, 7 bar) | | | |
| Proof pressure (water pressure) MPa | 1.05 (≈ 150 psi, 10.5 bar) | | | |
| Fluid temperature $^{\circ}\text{C}$ | 0 (32°F) to 55 (131°F) (no freezing) | | | |
| Ambient temperature $^{\circ}\text{C}$ | -5 (23°F) to 55 (131°F) | | | |
| Atmosphere | Place free of corrosive gas/explosive gas and not exposed to water | | | |
| Valve structure | Pilot operated diaphragm drive | | | |
| Internal leakage cm^3/min | 2 or less | | | |
| External leakage cm^3/min | 2 or less | | | |
| Mounting orientation | Unrestricted | | | |
| Port size | Push-in fitting $\varnothing 6$ | Push-in fitting $\varnothing 8$ | Push-in fitting $\varnothing 10$ | Push-in fitting $\varnothing 12$ |
| C[$\text{dm}^3/(\text{s}\cdot\text{bar})$] | 1.6 | 3.0 | 3.3 | 3.6 |
| b | 0.45 | 0.33 | 0.26 | 0.20 |
| Weight *1 | g 56 | 57 | 68 | 69 |
| Electrical specifications | | | | |
| Rated voltage | 100 VAC(50/60 Hz), 24 VDC, 12 VDC *2 | | | |
| Apparent power VA | 1.2 | | | |
| Power consumption W DC | 0.6 | | | |
| Thermal class | Class 130 (B) | | | |
| Degree of protection (IEC standard: 529) | Lead wire: IPX0, with DIN terminal box: IPX5 | | | |

*1 : Weight with the DIN terminal box is +20 g.

*2 : The voltage fluctuation range is $\pm 10\%$.

How to order



[Example of model No.]

EXA-C6-02CB-1

Model : Compact air blow valve EXA

- A** Connected tube outer diameter : $\phi 6$
- B** Sealant : H-NBR
- C** Coil option : Lead wire
- D** Other options : With mounting plate
- E** Voltage : 100 VAC

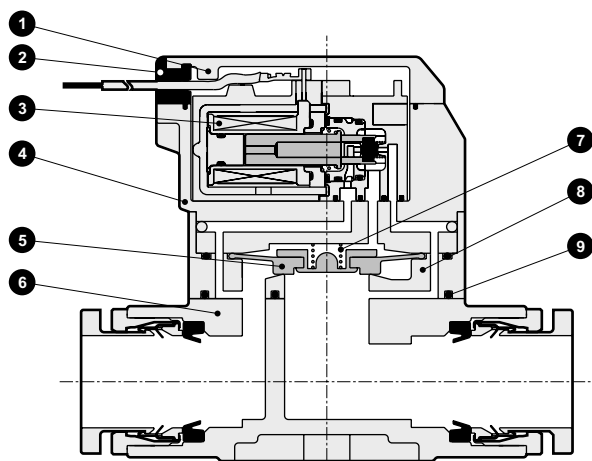
| Code | Description | |
|--|---|---|
| A Connected tube outer diameter | | |
| C6 | $\phi 6$ | |
| C8 | $\phi 8$ | |
| C10 | $\phi 10$ | |
| C12 | $\phi 12$ | |
| B Sealant | | |
| 0 | H-NBR, internal exhaust specifications | |
| H | H-NBR, oil-prohibited specs, internal exhaust specs | |
| C Coil option *1 | | |
| 2C | Standard Lead wire (without lamp/surge suppressor) | |
| 2G | Option DIN terminal box (Pg7), without lamp | |
| 2GS | | DIN terminal box (Pg7), with lamp/with surge suppressor |
| 2H | | DIN terminal box (Pg7), with lamp (inside terminal box) |
| 2HS | | DIN terminal box (Pg7), with lamp (inside terminal box)/with surge suppressor |
| 2KS | | DIN terminal box, with M12 connector cable, with lamp (inside terminal box)/with surge suppressor |
| D Other options | | |
| Blank | None | |
| B | With mounting plate | |
| E Voltage *1 | | |
| 1 | 100 VAC | |
| 3 | 24 VDC | |
| 4 | 12 VDC | |

*1 : Refer to the table below for the available coil option and voltage combinations.

| Coil option | Voltage | | |
|-------------|---------|---|---|
| | 1 | 3 | 4 |
| 2C | ● | ● | ● |
| 2G | ● | | |
| 2GS | | ● | ● |
| 2H | ● | | |
| 2HS | | ● | ● |
| 2KS | | ● | |

Select from the combinations indicated with ● above.

Internal structure and parts list



Cannot be disassembled

| No. | Part name | Material |
|-----|--------------------|--|
| 1 | Cover (*1) | PBT : Polybutylene terephthalate |
| 2 | Bush | NBR : Nitrile rubber |
| 3 | Coil assembly | - |
| 4 | Body | PPS : Polyphenylene sulfide |
| 5 | Diaphragm assembly | H-NBR/PPS : Hydrogenated nitrile rubber/ polyphenylene sulfide |
| 6 | Main body | PBT : Polybutylene terephthalate |
| 7 | Spring | SUS : Stainless steel |
| 8 | Valve body | PBT : Polybutylene terephthalate |
| 9 | Gasket | H-NBR : Hydrogenated nitrile rubber |

*1 : PA66 and polyamide are used when the DIN terminal box is attached.



Dimensions

EXA

FWD

HNB/G

USB/G

FAB/G

FGB/G

FVB

FWB/G

FHB

FLB

AB

AG

AP/
AD

APK/
ADK

DryAir

EX-
XPLNprf

XPLNprf

HVB/
HVL

S ⚡ B/
NAB

LAD/
NAD

Water-
Rela

NP/NAP/
NVP

SNP

CHB/G

MXB/G

Other
valves

SWD/
MWD

DustColl

CVE/
CVSE

CCH/
CPE/D

LifeSci

Gas-
Combus

Auto-
Water

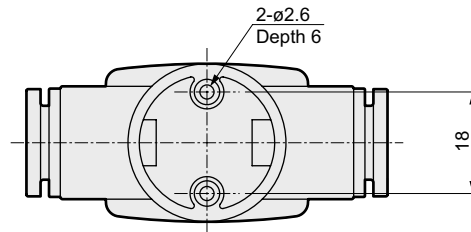
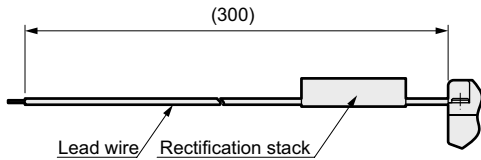
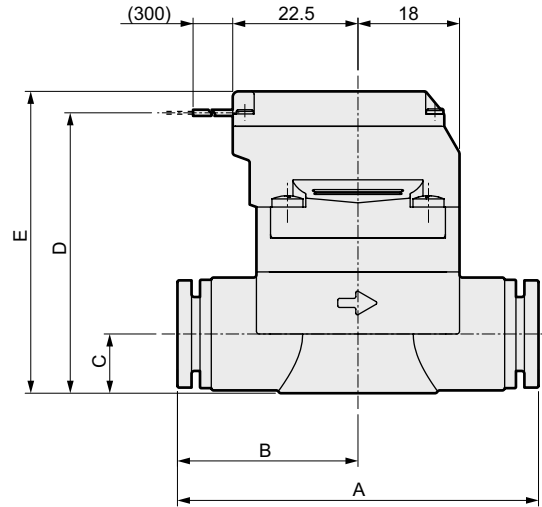
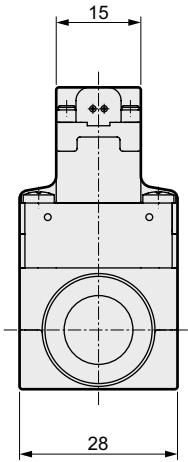
Outdoor

SpecFld

Custom

Ending

- Lead wire
EXA-*-*2C



The alternating current (AC) only has a rectification stack assembled into the lead wire.

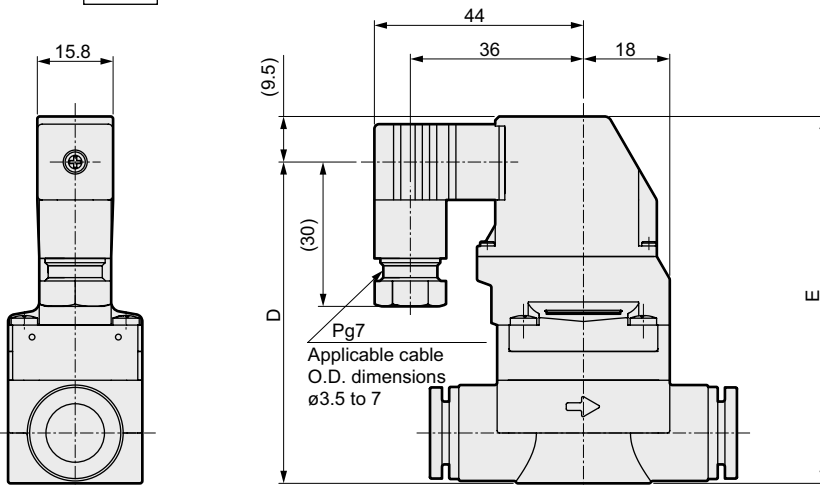
| Model No. | A | B | C | D | E |
|-----------|----|------|------|----|------|
| EXA-C6 | 52 | 28 | 8 | 45 | 48.5 |
| EXA-C8 | 53 | 28.5 | 8 | 45 | 48.5 |
| EXA-C10 | 62 | 31 | 11.5 | 51 | 54.5 |
| EXA-C12 | 64 | 32 | 11.5 | 51 | 54.5 |

* The figure indicates port size ø10 dimensions.

Optional dimensions

- DIN terminal box (Pg7)

EXA-*-*
2G
2GS
2H
2HS

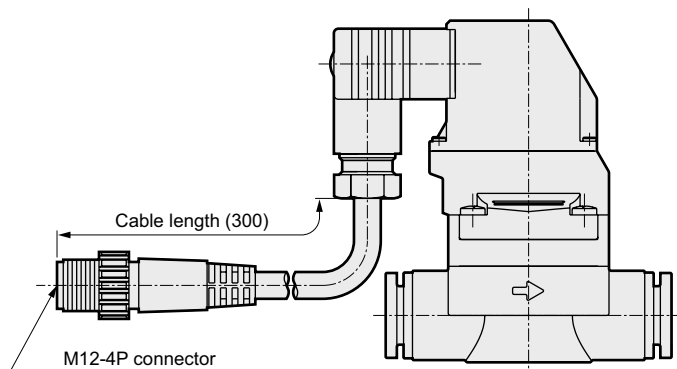


| Model | D | E |
|---------|----|------|
| EXA-C6 | 62 | 71.5 |
| EXA-C8 | 62 | 71.5 |
| EXA-C10 | 68 | 77.5 |
| EXA-C12 | 68 | 77.5 |

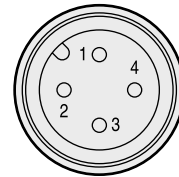
* The figure indicates port size ø10 dimensions.

Optional dimensions

- With DIN terminal box, with M12 connector cable, with lamp EXA-*-*2KS



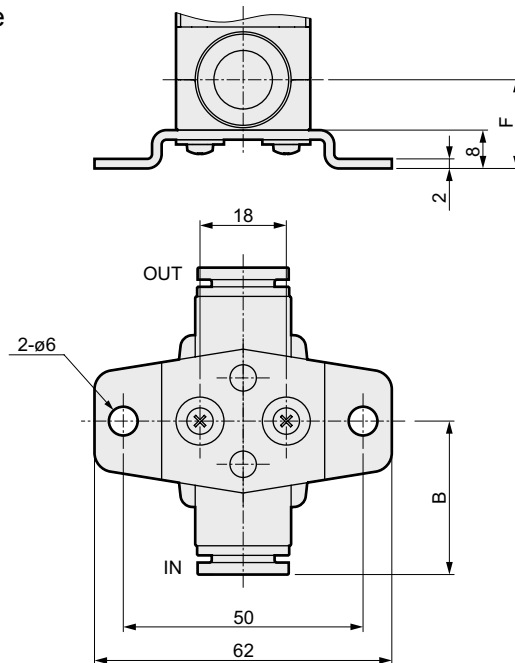
Connector pin array



| PIN No. | Applications |
|---------|----------------|
| 1PIN | (Not used) |
| 2PIN | (Not used) |
| 3PIN | Power supply - |
| 4PIN | Power supply + |

- With mounting plate EXA-*-*B

Material: Steel
Zinc plated



* Contact CKD for details about discrete mounting plate orders.

| Model No. | B | F |
|-----------|------|------|
| EXA-C6 | 28 | 16 |
| EXA-C8 | 28.5 | 16 |
| EXA-C10 | 31 | 19.5 |
| EXA-C12 | 32 | 19.5 |

* The figure indicates port size $\varnothing 10$ dimensions.

| |
|-----------------------|
| EXA |
| FWD |
| HNB/G |
| USB/G |
| FAB/G |
| FGB/G |
| FVB |
| FWB/G |
| FHB |
| FLB |
| AB |
| AG |
| AP/AD |
| APK/ADK |
| DryAir |
| EX-XPLNprf |
| XPLNprf |
| HVB/HVL |
| S \varnothing B/NAB |
| LAD/NAD |
| Water-Rela |
| NP/NAP/NVP |
| SNP |
| CHB/G |
| MXB/G |
| Other valves |
| SWD/MWD |
| DustColl |
| CVE/CVSE |
| CCH/CPE/D |
| LifeSci |
| Gas-Combus |
| Auto-Water |
| Outdoor |
| SpecFld |
| Custom |
| Ending |



Pilot operated 2-port solenoid valve for compressed air, manifold

GEXA Series

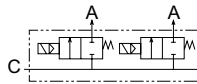
- NC (open when energized)
- Port size: Push-in fitting $\varnothing 6$, $\varnothing 8$, $\varnothing 10$, $\varnothing 12$
- Diaphragm drive



- EXA
- FWD
- HNB/G
- USB/G
- FAB/G
- FGB/G
- FVB
- FWB/G
- FHB
- FLB
- AB
- AG
- AP/AD
- APK/ADK
- DryAir
- EX-XPLNprf
- XPLNprf
- HVB/HVL
- S \diamond B/NAB
- LAD/NAD
- Water-Rela
- NP/NAP/NVP
- SNP
- CHB/G
- MXB/G
- Other valves
- SWD/MWD
- DustColl
- CVE/CVSE
- CCH/CPE/D
- LifeSci
- Gas-Combus
- Auto-Water
- Outdoor
- SpecFld
- Custom
- Ending

JIS symbol

- NC (open when energized)
- Common supply/ C port pressurization



Specifications

| Item | GEXA-□C6 | GEXA-□C8 | GEXA-□C10 | GEXA-□C12 |
|---|---|---------------------------------|----------------------------------|----------------------------------|
| Working fluid | Compressed air | | | |
| Working pressure differential MPa | 0.01 (≈ 1.5 psi, 0.1 bar) to 0.7 (≈ 100 psi, 7 bar) | | | |
| Max. working pressure MPa | 0.7 (≈ 100 psi, 7 bar) | | | |
| Proof pressure (water pressure) MPa | 1.05 (≈ 150 psi, 10.5 bar) | | | |
| Fluid temperature °C | 0 (32°F) to 55 (131°F) (no freezing) | | | |
| Ambient temperature °C | -5 (23°F) to 55 (131°F) | | | |
| Atmosphere | Place free of corrosive gas/explosive gas and not exposed to water | | | |
| Valve structure | Pilot operated diaphragm drive | | | |
| Internal leakage cm ³ /min | 2 or less (per station) | | | |
| External leakage cm ³ /min | 3 or less (per station) | | | |
| Mounting orientation | Unrestricted | | | |
| A port size (C port: Push-in fitting $\varnothing 10$, $\varnothing 12$) | Push-in fitting $\varnothing 6$ | Push-in fitting $\varnothing 8$ | Push-in fitting $\varnothing 10$ | Push-in fitting $\varnothing 12$ |
| C value | 1.6 | 3.0 | 3.3 | 3.6 |
| b | 0.36 | 0.24 | 0.18 | 0.16 |

Electrical specifications

| | | | | |
|--|--|--|--|----|
| Rated voltage | 100 VAC(50/60 Hz), 24 VDC, 12 VDC | | | *1 |
| Apparent power VA | 1.2 | | | |
| Power consumption W DC | 0.6 | | | |
| Thermal class | Class 130 (B) | | | |
| Degree of protection (IEC standard: 529) | Lead wire: IPX0, with DIN terminal box: IPX5 | | | |

*1 : The voltage fluctuation range is $\pm 10\%$.

For internal structure, refer to page 7.

How to order

GEXA - C10 C8 - 3 - 0 2HS - 3

Model No.

A C-port connected tube outer diameter

B A-port connected tube outer diameter

C Manifold station No.

D Sealant/
pilot operated combination

E Coil option

F Voltage

[Example of model No.]
GEXA-C10C8-3-02HS-3

A C-port connected tube outer diameter : $\phi 10$

B A-port connected tube outer diameter : $\phi 8$

C Manifold station No. : 3 stations

D Sealant/pilot operated combination : H-NBR/Internal exhaust specifications

E Coil option : DIN terminal box (Pg7)
With lamp/surge suppressor
(inside terminal box)

F Voltage : 24 VDC

| Code | Description | |
|---|---|--|
| A C-port connected tube outer diameter | | |
| C10 | $\phi 10$ | |
| C12 | $\phi 12$ | |
| B A-port connected tube outer diameter | | |
| C6 | $\phi 6$ | |
| C8 | $\phi 8$ | |
| C10 | $\phi 10$ | |
| C12 | $\phi 12$ | |
| C Manifold station No. | | |
| 2 | 2 stations | |
| to | to | |
| 5 | 5 stations | |
| D Sealant/pilot operated combination | | |
| 0 | H-NBR/internal exhaust specifications | |
| E Coil option *1 | | |
| 2C | Standard Lead wire (without lamp/surge suppressor) | |
| 2G | Option DIN terminal box (Pg7), without lamp | |
| 2GS | | DIN terminal box (Pg7), without lamp/with surge suppressor |
| 2H | | DIN terminal box (Pg7), with lamp (inside terminal box) |
| 2HS | | DIN terminal box (Pg7), with lamp/surge suppressor (inside terminal box) |
| 2KS | | DIN terminal box, with M12 connector cable, with lamp/surge suppressor (inside terminal box) |
| F Voltage *1 | | |
| 1 | 100 VAC | |
| 3 | 24 VDC | |
| 4 | 12 VDC | |

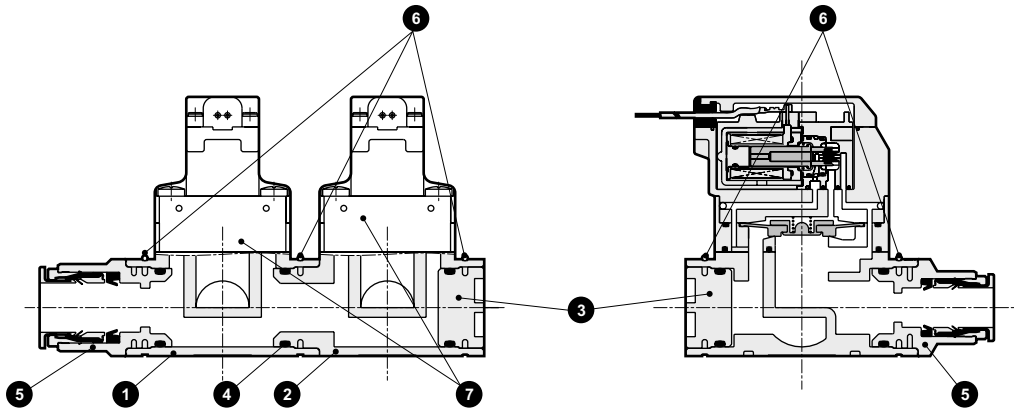
*1 : Refer to the table below for the available coil option and voltage combinations.

| Coil option | Voltage | | |
|-------------|---------|---|---|
| | 1 | 3 | 4 |
| 2C | ● | ● | ● |
| 2G | ● | | |
| 2GS | | ● | ● |
| 2H | ● | | |
| 2HS | | ● | ● |
| 2KS | | ● | |

Select from the combinations indicated with ● above.

| |
|----------------|
| EXA |
| FWD |
| HNB/G |
| USB/G |
| FAB/G |
| FGB/G |
| FVB |
| FWB/G |
| FHB |
| FLB |
| AB |
| AG |
| AP/AD |
| APK/ADK |
| DryAir |
| EX-XPLNprf |
| XPLNprf |
| HVB/HVL |
| S ϕ B/NAB |
| LAD/NAD |
| Water-Rela |
| NP/NAP/NVP |
| SNP |
| CHB/G |
| MXB/G |
| Other valves |
| SWD/MWD |
| DustColl |
| CVE/CVSE |
| CCH/CPE/D |
| LifeSci |
| Gas-Combus |
| Auto-Water |
| Outdoor |
| SpecFld |
| Custom |
| Ending |

EXA Internal structure and parts list



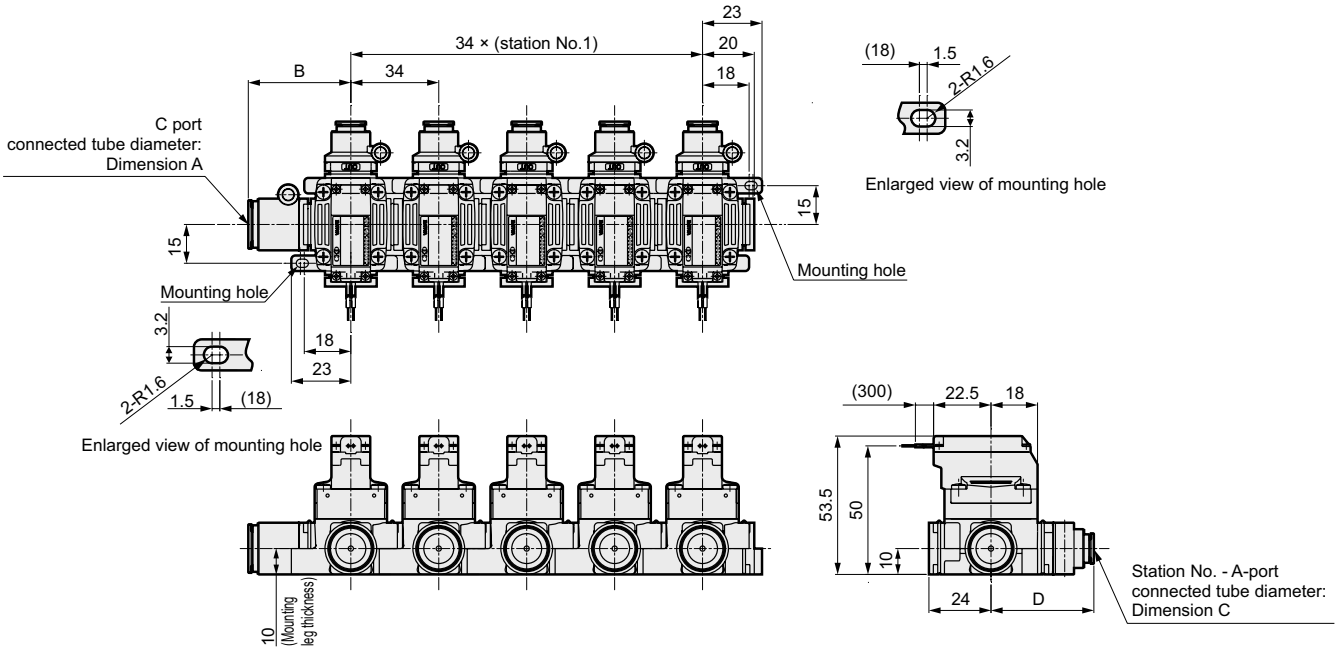
| No. | Part name | Material | |
|-----|-----------------------|-----------------|--|
| 1 | Block body A | PBT | Polybutylene terephthalate |
| 2 | Block body B | PBT | Polybutylene terephthalate |
| 3 | Plug assembly | A6063, NBR | Aluminum, nitrile rubber |
| 4 | O-ring | NBR | Nitrile rubber |
| 5 | Fitting assembly | PBT, C3604, NBR | Polybutylene terephthalate/copper alloy/nitrile rubber |
| 6 | Stopper ring | SUS | Stainless steel |
| 7 | EXA Actuator assembly | - | (Refer to the internal structure diagram on page 7) |

Cannot be disassembled

* This figure shows a 2-station.

Dimensions

● Lead wire
GEXA-**-*-*2C

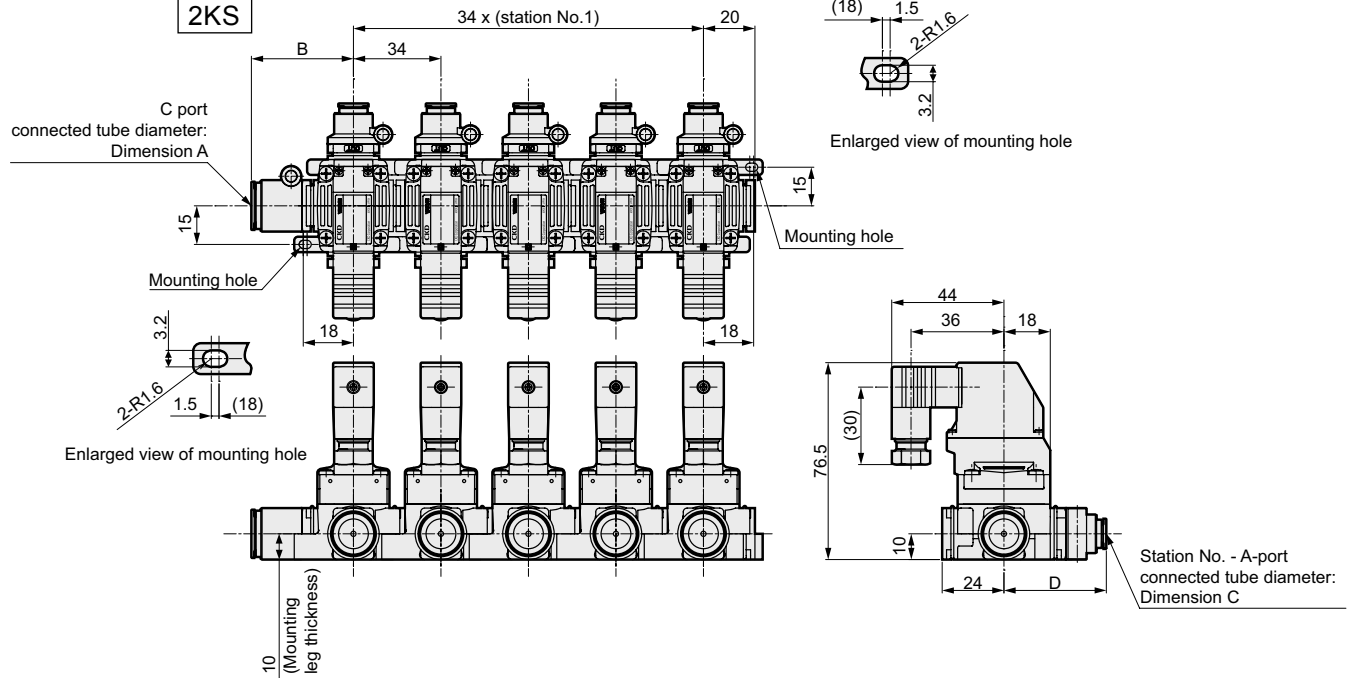


| Model No. | A | B | C | D |
|-------------|-----|----|-----|----|
| GEXA-C10C6 | ø10 | 38 | ø6 | 40 |
| GEXA-C10C8 | | | ø8 | |
| GEXA-C10C10 | | | ø10 | |
| GEXA-C10C12 | ø12 | 40 | ø12 | 44 |
| GEXA-C12C6 | | | ø6 | 40 |
| GEXA-C12C8 | | | ø8 | |
| GEXA-C12C10 | | | ø10 | |
| GEXA-C12C12 | | | ø12 | 44 |

Dimensions

● DIN terminal box

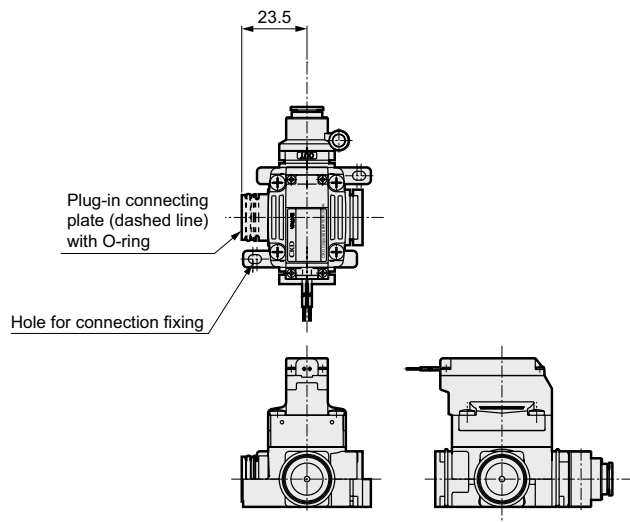
GEXA-**-**-**
 2G
 2GS
 2H
 2HS
 2KS



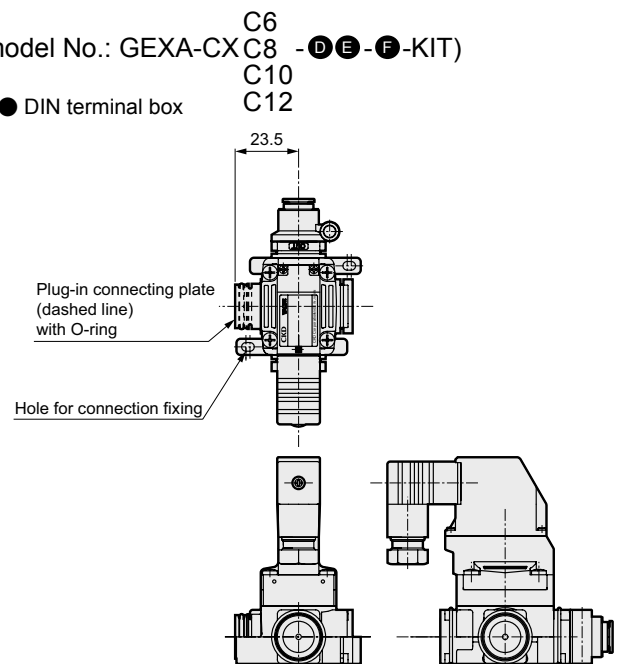
| Model No. | A | B | C | D |
|-------------|-----|----|-----|----|
| GEXA-C10C6 | ø10 | 38 | ø6 | 40 |
| GEXA-C10C8 | | | ø8 | |
| GEXA-C10C10 | | | ø10 | |
| GEXA-C10C12 | | | ø12 | |
| GEXA-C12C6 | ø12 | 40 | ø6 | 40 |
| GEXA-C12C8 | | | ø8 | |
| GEXA-C12C10 | | | ø10 | |
| GEXA-C12C12 | | | ø12 | |

● Single item dimensions for expanding manifold stations (model No.: GEXA-CX C6 - D E - F -KIT)

● Lead wire



● DIN terminal box



| |
|--------------|
| EXA |
| FWD |
| HNB/G |
| USB/G |
| FAB/G |
| FGB/G |
| FVB |
| FWB/G |
| FHB |
| FLB |
| AB |
| AG |
| AP/AD |
| APK/ADK |
| DryAir |
| EX-XPLNprf |
| XPLNprf |
| HVB/HVL |
| S B/NAB |
| LAD/NAD |
| Water-Rela |
| NP/NAP/NVP |
| SNP |
| CHB/G |
| MXB/G |
| Other valves |
| SWD/MWD |
| DustColl |
| CVE/CVSE |
| CCH/CPE/D |
| LifeSci |
| Gas-Combus |
| Auto-Water |
| Outdoor |
| SpecFld |
| Custom |
| Ending |

*1: For parts other than those above and dimensions after connecting, refer to pages 12 and 13 for the manifold dimensions.

*2: The following components are attached.

Stopper pin: 1 pc., fixing screw for connecting: 2 pcs

*3: If you are considering increasing the number of stations, contact CKD for details.



Pilot operated 2-port solenoid valve for compressed air

EXA Series Aluminum body

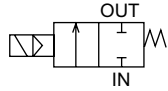
- NC (open when energized)
- Port size: Rc1/4, 3/8



- EXA
- FWD
- HNB/G
- USB/G
- FAB/G
- FGB/G
- FVB
- FWB/G
- FHB
- FLB
- AB
- AG
- AP/AD
- APK/ADK
- DryAir
- EX-XPLNprf
- XPLNprf
- HVB/HVL
- S \diamond B/NAB
- LAD/NAD
- Water-Rela
- NP/NAP/NVP
- SNP
- CHB/G
- MXB/G
- Other valves
- SWD/MWD
- DustColl
- CVE/CVSE
- CCH/CPE/D
- LifeSci
- Gas-Combust
- Auto-Water
- Outdoor
- SpecFld
- Custom
- Ending

JIS symbol

- NC (open when energized)



Specifications

1 MPa \approx 145.0 psi, 1 MPa = 10 bar

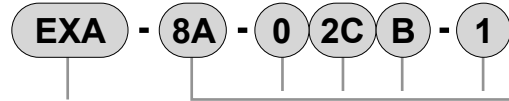
| Item | EXA-8A | EXA-10A |
|---------------------------------------|---|---------|
| Working fluid | Compressed air | |
| Working pressure differential MPa | 0.01 (\approx 1.5 psi, 0.1 bar) to 0.7 (\approx 101 psi, 7 bar) | |
| Max. working pressure MPa | 0.7 (\approx 101 psi, 7 bar) | |
| Proof pressure (water pressure) MPa | 1.05 (\approx 152 psi, 10 bar) | |
| Fluid temperature $^{\circ}$ C | 0 (32 $^{\circ}$ F) to 55 (131 $^{\circ}$ F) (no freezing) | |
| Ambient temperature $^{\circ}$ C | -5 (23 $^{\circ}$ F) to 55 (131 $^{\circ}$ F) | |
| Atmosphere | Place free of corrosive gas/explosive gas and not exposed to water | |
| Valve structure | Pilot operated diaphragm drive | |
| Internal leakage cm ³ /min | 2 or less | |
| External leakage cm ³ /min | 2 or less | |
| Mounting orientation | Unrestricted | |
| Port size | Rc1/4 | Rc3/8 |
| C[dm ³ /(s·bar)] | 4.5 | 4.7 |
| b | 0.18 | 0.17 |
| Weight *1 g | 56 | 57 |

Electrical specifications

| | | | |
|--|--|--|----|
| Rated voltage | 100 VAC (50/60 Hz), 24 VDC, 12 VDC | | *2 |
| Apparent power VA | 1.2 | | |
| Power consumption W | 0.6 | | |
| DC | | | |
| Thermal class | Class 130 (B) | | |
| Degree of protection (IEC standard: 529) | Lead wire: IPX0, with DIN terminal box: IPX5 | | |

- *1: Weight with the DIN terminal box is +20 g.
- *2: The voltage fluctuation range is \pm 10%.

How to order



Model No.

A Port size

B Sealant material

C Coil option

D Other options

E Voltage

[Example of model No.]

EXA-8A-02CB-1

Model: Compact air blow valve EXA Aluminum body

- A Port size : Rc1/4
- B Sealant material : H-NBR, internal exhaust specification
- C Coil option : Lead wire
- D Other options : Mounting plate
- E Voltage : 100 VAC

| Coil option | Voltage | | |
|-------------|---------|---|---|
| | 1 | 3 | 4 |
| 2C | ● | ● | ● |
| 2G | ● | | |
| 2GS | | ● | ● |
| 2H | ● | | |
| 2HS | | ● | ● |
| 2KS | | ● | |

Select from the combinations indicated with ● above.

| Code | Description |
|--------------------|-------------|
| A Port size | |
| 8A | Rc1/4 |
| 8G | G1/4 |
| 8 N | 1/4NPT |
| 10A | Rc3/8 |
| 10G | G3/8 |
| 10 N | 3/8NPT |

| Code | Description |
|---------------------------|--|
| B Sealant material | |
| 0 | H-NBR, internal exhaust specifications |

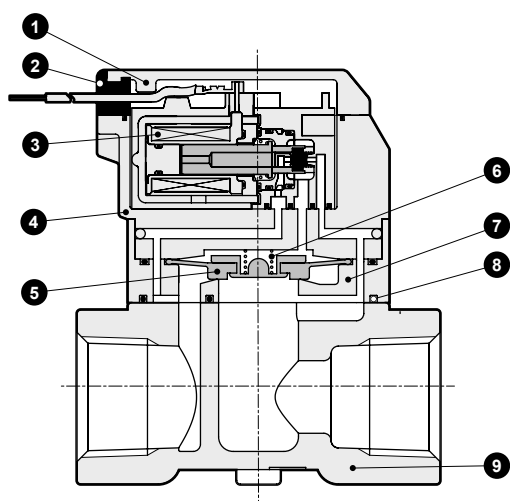
| C Coil option *1 | | |
|-------------------------|----------|--|
| 2C | Standard | Lead wire (without lamp/surge suppressor) |
| 2G | Option | DIN terminal box (Pg7), without lamp |
| 2GS | | DIN terminal box (Pg7), without lamp/with surge suppressor |
| 2H | | DIN terminal box (Pg7), with lamp (inside terminal box) |
| 2HS | | DIN terminal box (Pg7), with lamp (inside terminal box)/with surge suppressor |
| 2KS | | DIN terminal box with M12 connector cable, with lamp (inside terminal box)/with surge suppressor |

| D Other options | |
|------------------------|---------------------|
| Blank | None |
| B | With mounting plate |

| E Voltage *1 | |
|---------------------|---------|
| 1 | 100 VAC |
| 3 | 24 VDC |
| 4 | 12 VDC |

*1: Refer to the table on the left for the available coil option and voltage combinations.

Internal structure and parts list



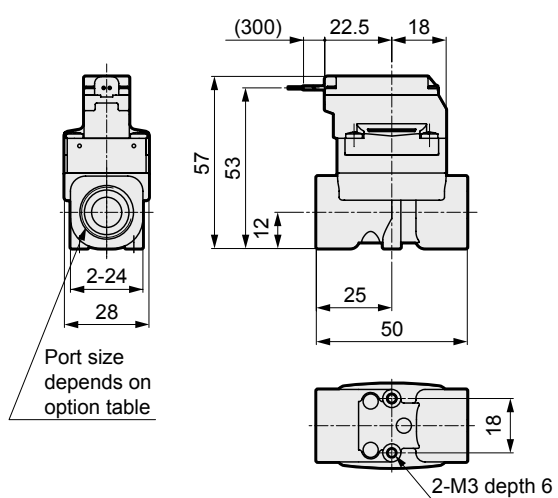
| No. | Part name | Material | |
|-----|--------------------|-----------|---|
| 1 | Cover (*1) | PBT | Polybutylene terephthalate |
| 2 | Bush | NBR | Nitrile rubber |
| 3 | Coil assembly | - | - |
| 4 | Stuffing | PPS | Polyphenylene sulfide |
| 5 | Diaphragm assembly | H-NBR/PPS | Hydrogenated nitrile rubber/polyphenylene sulfide |
| 6 | Spring | SUS | Stainless steel |
| 7 | Valve body | PBT | Polybutylene terephthalate |
| 8 | Gasket | H-NBR | Hydrogenated nitrile rubber |
| 9 | Body | ADC12 | Aluminum |

*1: PA66 and polyamide are used when the DIN terminal box is attached.

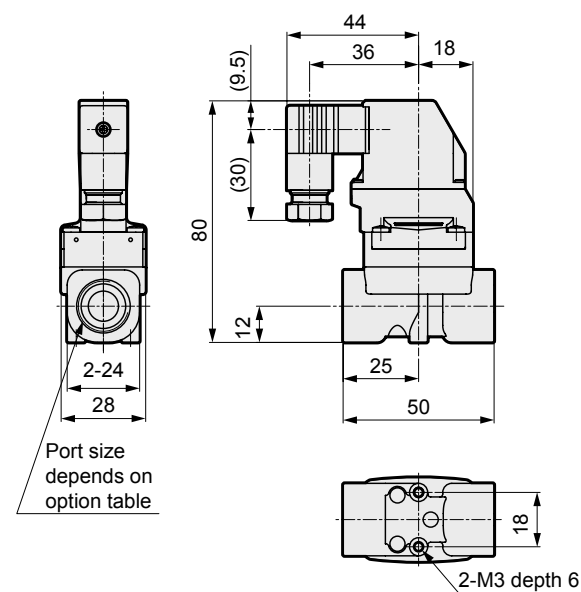
Cannot be disassembled

Dimensions

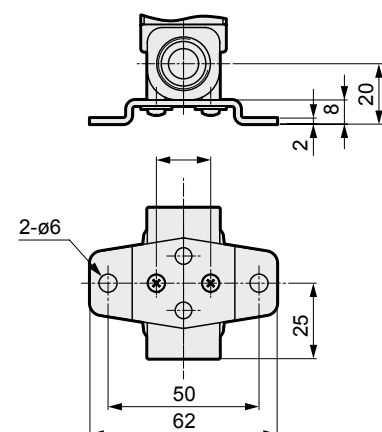
● Lead wire



● DIN terminal box



● With mounting plate



- EXA
- FWD
- HNB/G
- USB/G
- FAB/G
- FGB/G
- FVB
- FWB/G
- FHB
- FLB
- AB
- AG
- AP/AD
- APK/ADK
- DryAir
- EX-XPLNprf
- XPLNprf
- HVB/HVL
- S ϕ B/NAB
- LAD/NAD
- Water-Rela
- NP/NAP/NVP
- SNP
- CHB/G
- MXB/G
- Other valves
- SWD/MWD
- DustColl
- CVE/CVSE
- CCH/CPE/D
- LifeSci
- Gas-Combus
- Auto-Water
- Outdoor
- SpecFld
- Custom
- Ending